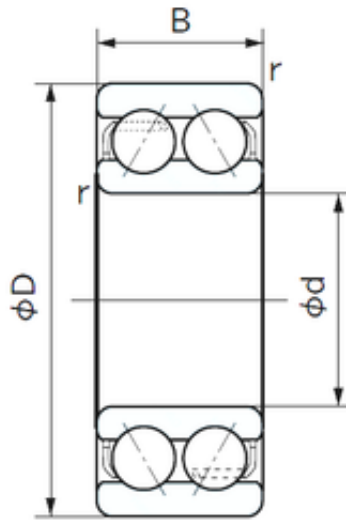




BEARING MFG. CORP.



65 mm x 140 mm x 58.7 mm 2097132 Tapered Roller Bearing 160x240x115mm

Bearing No. 5313

5313 Bearing 2D drawings and 3D CAD models

Size	65x140x58.7 mm
Bore Diameter	65 mm
Outer Diameter	140 mm
Width	58.7 mm
d	65 mm
D	140 mm
B	58.7 mm
C	58.7 mm
Angle ()	30 °
r min.	2.1 mm
Weight	3.86 Kg
Basic dynamic load rating (C)	145 kN
Basic static load rating (C0)	115 kN
(Grease) Lubrication Speed	3600 r/min
Category	Angular Contact Ball Bearings
Inventory	0.0
Manufacturer Name	NACHI
Minimum Buy Quantity	N/A
Weight / Kilogram	3.864
EAN	4991893606027
Product Group	B00152
Enclosure	Open
Flush Ground	No
Rolling Element	Ball Bearing



BEARING MFG.CORP.

Number of Rows of Balls	Double Row
Precision Class	ABEC 1 ISO P0
Maximum Capacity / Filling Slot	No
Snap Ring	No
Cage Material	Steel
Contact Angle	20 Degree
Internal Clearance	C0-Medium
Number of Bearings	1 (Single)
Inch - Metric	Metric
Long Description	65MM Bore; 140MM Outside Diameter; 58.7MM Width; Open; No Flush Ground; Ball Bearing; Double Row of Balls; ABEC 1 ISO P0; No Filling Slot; No Snap Ring
Category	Angular Contact Ball Bearing
UNSPSC	31171531
Harmonized Tariff Code	8482.10.50.28
Noun	Bearing
Keyword String	Angular Contact
Manufacturer URL	http://www.nachi.com
Manufacturer Item Number	5313 BNLS
Weight / LBS	8.51
Bore	2.559 Inch 65 Millimeter
Outside Diameter	5.512 Inch 140 Millimeter
Width	2.311 Inch 58.7 Millimeter
Configuration	Double Row
Bore Type	Cylindrical Bore
Bore Size	65 mm
Fillet Radius/Chamfer	2.1 mm
Dynamic Load Rating	145,000 N
Static Load Rating	115,000 N



BEARING MFG.CORP.

Limiting Speed - Grease	3,600 rpm
Limiting Speed - Oil	4,700 rpm
Radial Clearance	0.008 to 0.028 mm
da	77 mm128 mm
Dx	152 mm
ra	2 mm
Cy	7.4 mm